

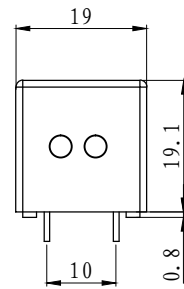
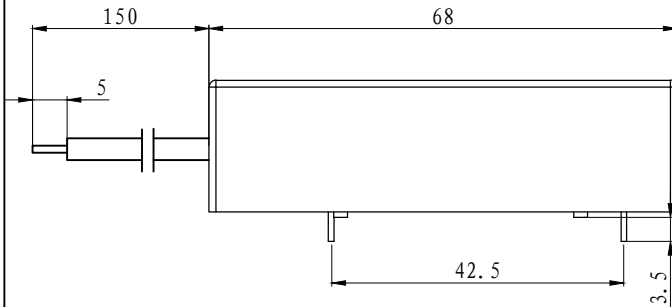
HVR12-2A20-150

- High Voltage Reed Relay
- Coil Voltage 12V
- Breakdown up to 20KV

[Outline Dimension]

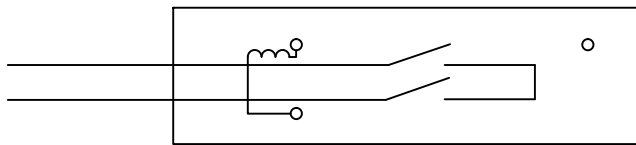
Unit: mm

Scale: 1/1





[Pin Layout]

[Top View]



| |
|-------------------|
| Order Information |
| HVR12-2A20-150 |

| Coil Parameters | | Relay Parameters | |
|--------------------------|-----------------|--------------------------------------|------------------|
| 1 Nominal coil voltage | 12 VDC | 1 Min Breakdown Voltage | 20K VDC |
| 2 Max Operating voltage | 16 VDC | 2 Dielectric Strength coil/contact | 20K VDC |
| 3 Max Pull-in voltage | 9.0 VDC | 3 Insulation Resistance coil/contact | 1.00E+12ohm |
| 4 Min Drop-out voltage | 1.0 VDC | 4 Operate Time, incl. Bounce | 3.0ms |
| 5 Coil Resistance | 85ohm | 5 Reset Time | 1.5ms |
| Contact Parameters | | 6 Capacitance Across Contacts | 0.8pF |
| 1 Max Contact Rating | 50 W | 7 Storage Temperature | -35 +105°C |
| 2 Max Switch Voltage | 10K VACpeak/VDC | 8 Operating Temperature | -20 +70 °C |
| 3 Max Switch Current | 3.0 A | 9 Soldering Temperature | 5 sec. max 260°C |
| 4 Max Carrying Current | 5.0 A | | |
| 5 Min Breakdown Voltage | 20K VDC | | |
| 6 Max Contact Resistance | 250 mohm | | |

| | | | | |
|-------------|-------------|----------------|----------------------------------|---|
| Version: 01 | Designed by | | TITLE High Voltage Reed Relay |   |
| | Checked by | | | |
| | Approved by | | P/N HVR12-2A20-150 | Scale: 1:1 |
| | Date | 5th, Oct, 2010 | | Page: 1/1 |