

HVR24-1A+1B-01

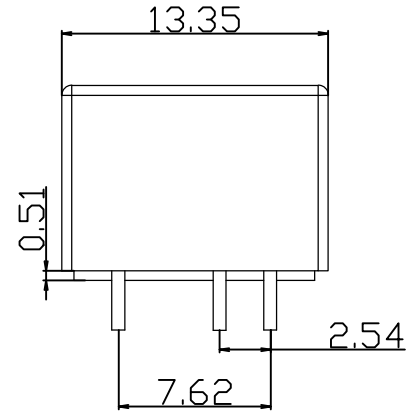
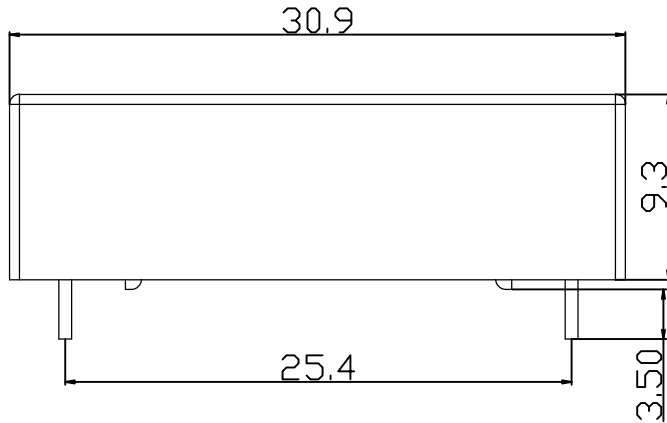
- High Voltage Reed Relay
- Coil Voltage 24V
- Form A (4000 VDC)+
Form B (200 VDC)

Misensor Tech (Shanghai) Co., Ltd
Add: No.25 Hangming Road Hangtou Town,
Pudong new district, Shanghai
TEL: 021- 60976200 FAX: 021-60976212
Http://www.Misensor.cn

[Outline Dimension]

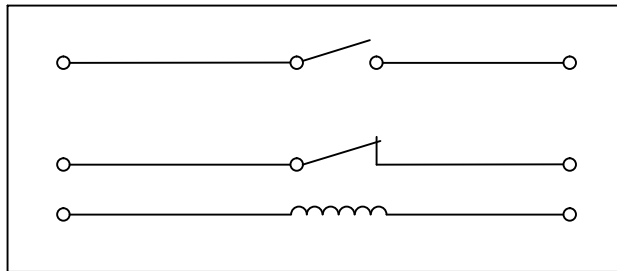
Unit: mm

Scale: 2.5:1



[Pin Layout]

[Top View]



Order Information

HVR24-1A+1B-01

Coil Parameters			Relay Parameters		
1	Nominal coil voltage	24 VDC	1	Min Breakdown Voltage (Form A/B)	4000/200VDC
2	Max Operating voltage	29 VDC	2	Dielectric Strength coil/contact	4000 VDC
3	Max Pull-in voltage	18 VDC	3	Insulation Resistance coil/contact	1.00E+12ohm
4	Min Drop-out voltage	2.0 VDC	4	Operate Time, incl. Bounce	1.0ms
5	Coil Resistance	1600ohm	5	Reset Time	1.0ms
Contact Parameters			6	Capacitance Across Contacts	1.0pF
1	Max Contact Rating (From A/B)	100 W/5.0W	7	Storage Temperature	-35~+105℃
2	Max Switch Voltage (From A/B)	1000/175 VDC	8	Operating Temperature	-20~+75 ℃
3	Max Switch Current (From A/B)	1.0 /0.25 A			
4	Max Carrying Current (From A/B)	2.5/1.5 A			
5	Min Breakdown Voltage (From A/B)	4000/200 VDC			
6	Max Contact Resistance (From A/B)	150/100 mohm			

Version: 01	Designed by		TITLE	
	Checked by		Misensor Reed Relay	
	Approved by		P/N	Scale: 2.5:1
	Date	1, Apr, 2013	HVR24-1A+1B-01	Page: 1/1