

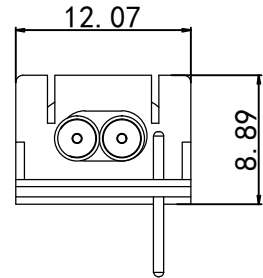
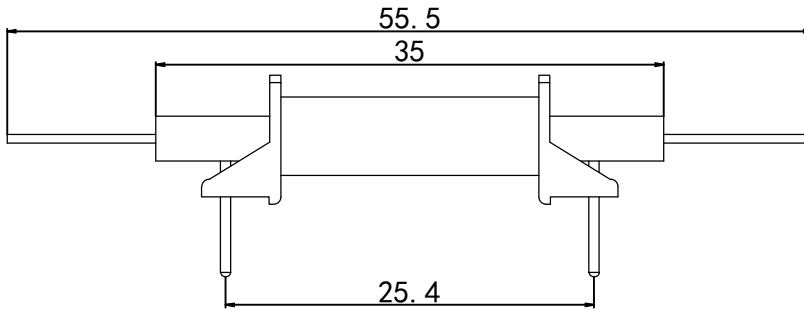
## HVR2A24-HI

- Insulation Resistance up to 10Tohm
- Breakdown Voltage up to 3.5KV

[Outline Dimension]

Unit: mm

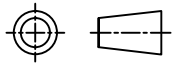
Scale: 1/1



### Order Information

HVR2A24-HI

Coil Parameters		Relay Parameters	
1 Nominal coil voltage	24 VDC	1 Min Breakdown Voltage	3.5K VDC
2 Max Operating voltage	29 VDC	2 Dielectric Strength coil/contact	3.0K VDC
3 Max Pull-in voltage	18 VDC	3 Insulation Resistance coil/contact	1X10 <sup>13</sup> ohm(500V)
4 Min Drop-out voltage	2.0 VDC	4 Operate Time, incl. Bounce	1.5ms
5 Coil Resistance	1400 ohm	5 Reset Time	0.5ms
Contact Parameters		6 Capacitance Across Contacts	0.3pF
1 Max Contact Rating	100 W	7 Electrical Life	1X10 <sup>7</sup> (5Vdc, 10mA)
2 Max Switch Voltage	1.0KVDC	8 Storage Temperature	-35 ~+105°C
3 Max Switch Current	1.0 A	9 Operating Temperature	-20 ~+70 °C
4 Max Carrying Current	2.0 A	10 Soldering Temperature	5 sec. max 260°C
5 Min Breakdown Voltage	3.5K VDC		
6 Max Contact Resistance	150 mohm		

Version: 01	Designed by		TITLE	
	Checked by		High Insulation Reed Relay	
	Approved by		P/N	Scale: 1:1
	Date	5th, Oct, 2010	HVR2A24-HI	Page: 1/1